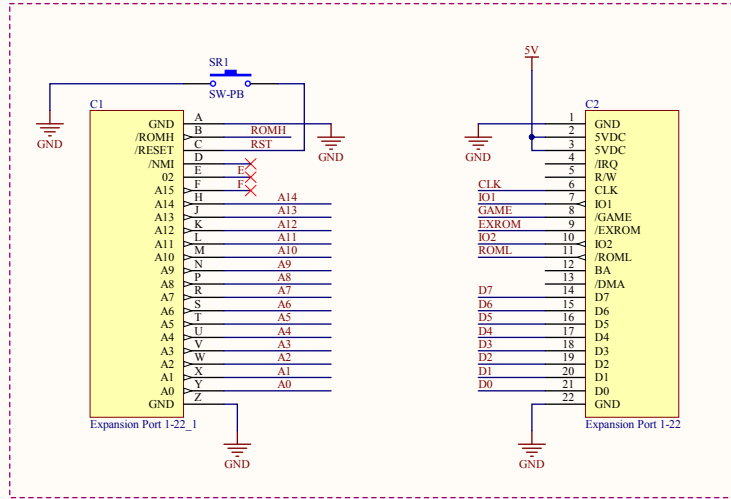
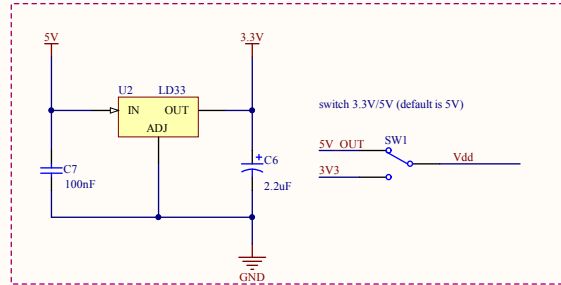


POCKET1541 PLUS (MainBoard)

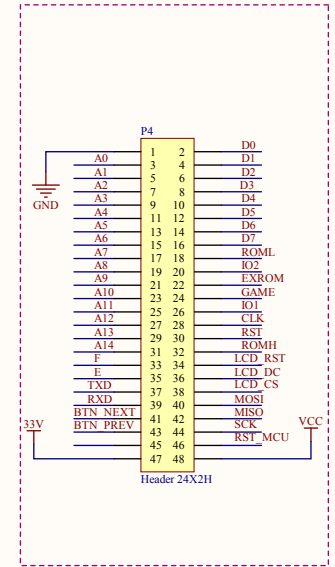
EXPANSION PORT CONNECTION (From C64)



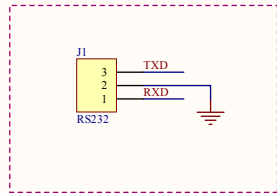
POWER CONVERTER (for sd supply)



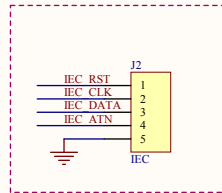
EXTERNAL CONNECTOR



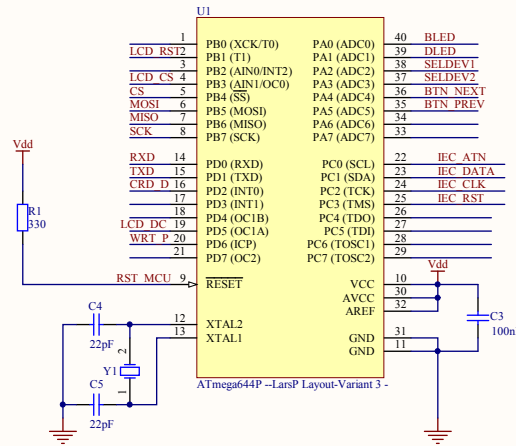
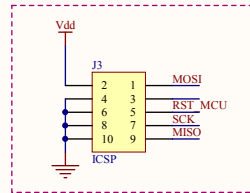
RS232 INTERFACE



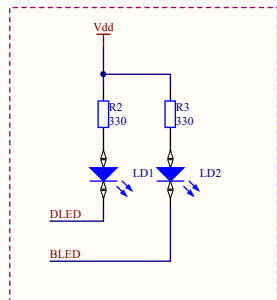
IEC INTERFACE



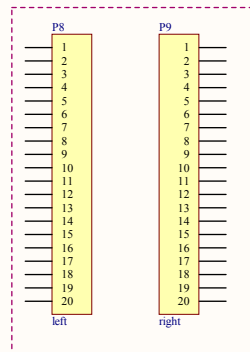
ICSP SPI



SD2IEC LEDs



ATMEGA CONNECTORS



SD INTERFACE

